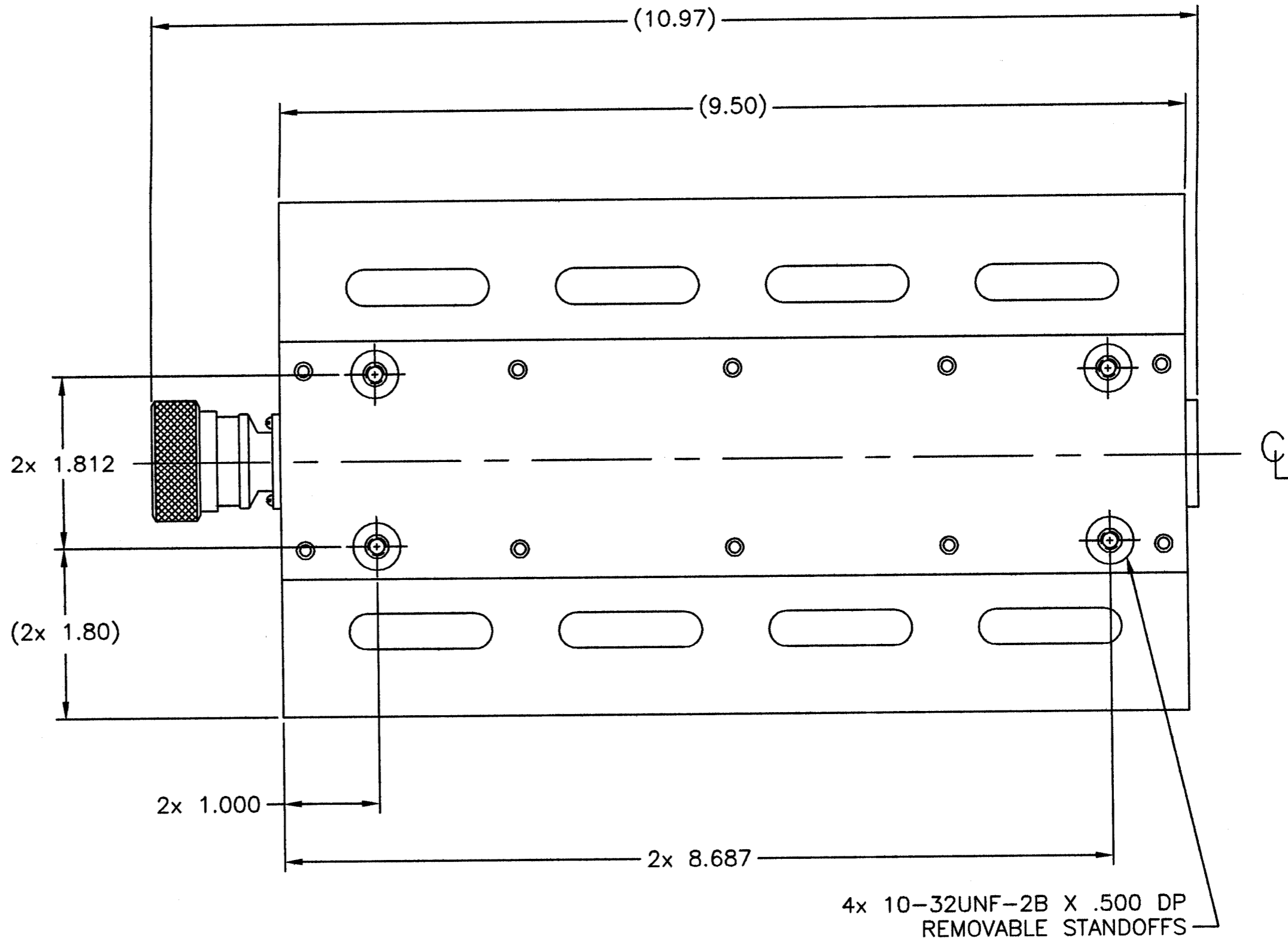
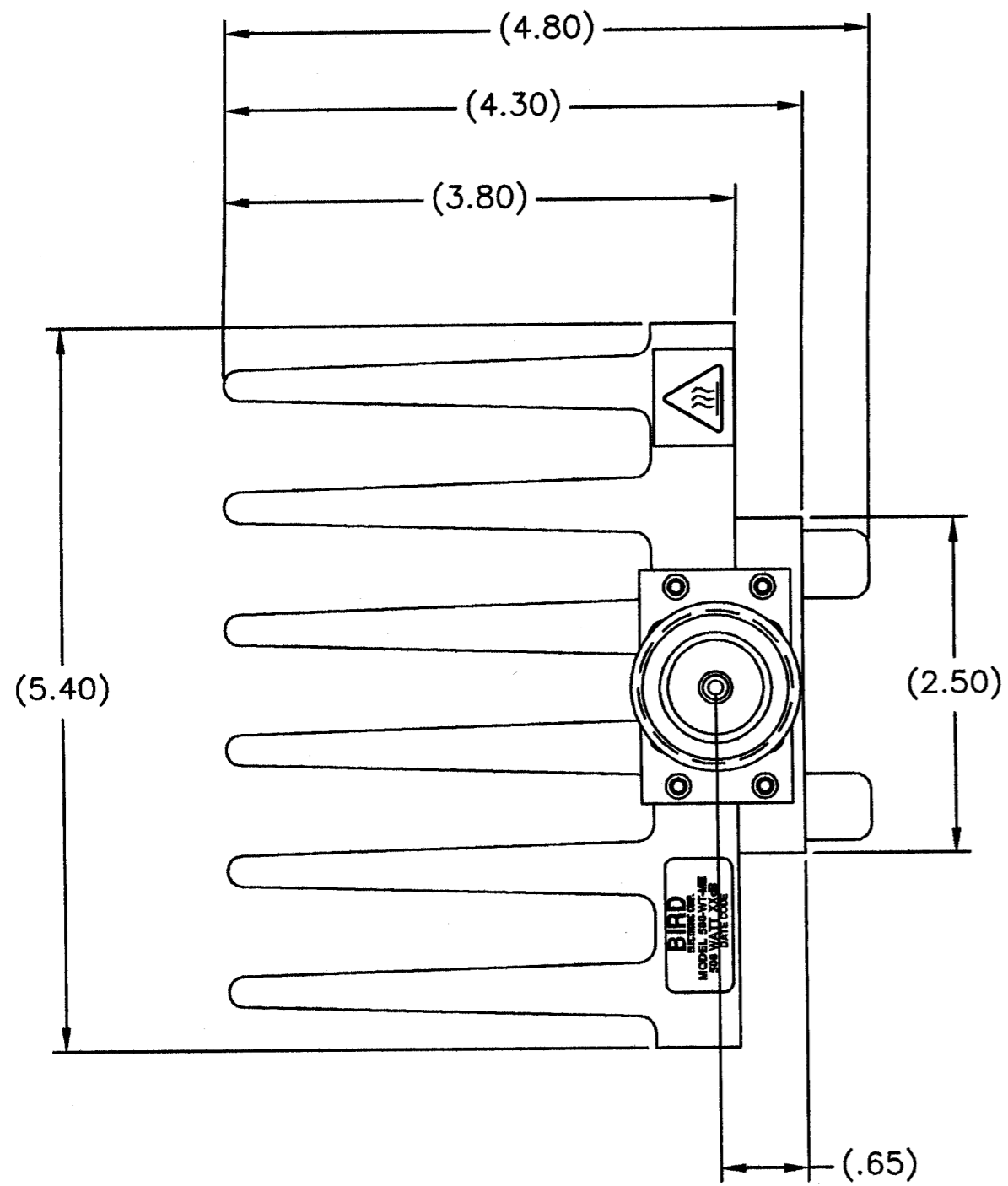


**SPECIFICATIONS:**

IMPEDANCE: 50 OHMS NOMINAL  
 FREQUENCY RANGE: DC TO 2.5GHz  
 VSWR: DC TO 1GHz AT 1.10:1 MAX.  
 1GHz TO 2.5 GHz AT 1.25:1 MAX.  
 POWER RATING: 500 WATTS AVG. AT 25°C AMBIENT  
 DERATED LINEARLY TO 50 WATTS AT 125°C.  
 COOLING FIN: ALUMINUM, BLACK ANODIZED  
 COVER: ALUMINUM, BLACK ANODIZED  
 CONNECTOR: IEC 7/16 MALE, TRI-ALLOY PLATED  
 OPERATING POSITION: ANY POSITION EXCEPT MOUNTING SURFACE UP  
 NOMINAL SIZE: APPROX. 10.97" L X 5.40" W X 4.80" H  
 WEIGHT: APPROX. 7.8 LBS

REVISIONS		DWG. NO.	500-WT-ME	SHEET	REV
ZONE	REV	DESCRIPTION	DATE	1	B
	A	RELEASED TO PRODUCTION	5-29-98		mev
	B	ECN #204	10-27-98		mev



DIMENSIONS HEREON ARE FOR CUSTOMER CONVENIENCE AND REFERENCE ONLY. TOLERANCE TO BE APPLIED ONLY WHERE INDIVIDUALLY STATED ON THE RESPECTIVE DIMENSION. -DO NOT SCALE DRAWING-

UNLESS OTHERWISE SPECIFIED DIMENSIONS ARE IN INCHES TOLERANCES ARE:		MILLIMETERS .X= ±.4 .XX= ±.12		THIS DRAWING IS THE PROPERTY OF THE BIRD ELECTRONIC CORPORATION. THE DESIGNS AND SPECIFICATIONS DISCLOSED HEREON ARE PROPRIETARY AND SHALL NOT BE REPRODUCED, NOR COPIED, NOR USED AS THE BASIS FOR THE MANUFACTURE OR SALE OF APPARATUS OR DEVICES WITHOUT THEIR EXPRESS WRITTEN CONSENT.		BIRD Electronic Corporation Cleveland (Solon) Ohio USA	
FRACOINS DECIMALS ANGLES ± 1/64 .XX= ±.010 ± 30' .XXX= ±.005		DO NOT SCALE DRAWING		APPROVALS DRAWN D.M.RINK DATE 6-3-03 CHECKED APPROVED <i>MARKY</i> DATE 6-23-03 FINISH AUTOCAD		TITLE TERMINATION, CONVECTION/CONDUCTION COOLED, IEC 7/16 MALE, 500W SIZE C PSCM NO. 70998 DWG. NO. 500-WT-ME REV B SCALE 1:1 COMM CODE LD1 SHEET 1 OF 1	